

G22 Specification

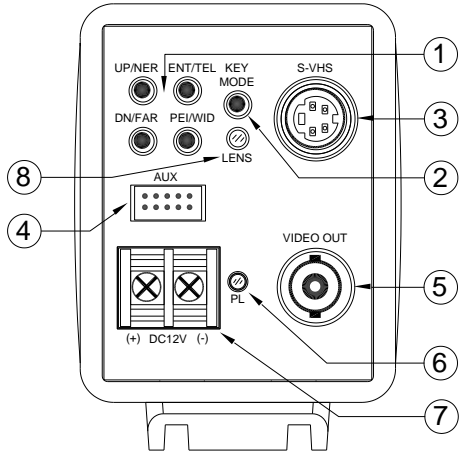
TV SYSTEM	NTSC	PAL
IMAGE SENSOR	1/4-INCH CCD IMAGE SENSOR	
CCD TOTAL PIXELS	~ 410K	~ 470K
SCANNING SYSTEM	525 LINES, 60 FIELDS/SEC	625 LINES, 50 FIELDS/SEC
SYNC SYSTEM	INTERNAL	
MINIMUM ILLUMINATION	0.05 LUX F1.6 AGC ON B/W	
RESOLUTION	520 TVL	
ICR-SET CONTROL	AUTO / MANUAL	
DNR (DIGITAL NOISE REDUCE)	S/N UP 4.5DB	
WHITE BALANCE RANGE	3200 ~ 9600 °K	
S / N RATIO	48DB (MIN) / 52DB (TYP) (AGC OFF , R=1 , APC OFF , Y-OUT)	
B.L.C. FUNCTION	SUPER BLC,48 ZONE BLC	
GAMMA CORRECTION	0.45 /1	
AGC	AUTO (24DB MAX)	
ALC	AUTO / FIX	
SENS UP	MAX. 32X SELECT BY OSD MENU	
IMAGE NEGATIVE	SELECT BY OSD MENU	
MOTION DETECT	48 ZONE (SELECT BY OSD)	
FREEZE FUNCTION	ALARM IN TRIGGER OR SELECT BY OSD	
CROSS LINE	ON/OFF SELECT BY OSD MENU (POSITION ADJ. BY SOFTWARE)	
ELECTRONIC SHUTTER	AES : 1/60(1/50) ~ 1/120,000 SEC. / MANUAL : 8 STEP	
LENS	22X OPTICAL ZOOM LENS ,F1.6~3.7,F=3.9~85.8MM	
ZOOM	220X (22X OPTICAL 10XDIGITAL)	
FOCUS	AUTO / MANUAL	
POSITION	64 POSITION (ZOOM,FOCUS)	
ICR (IR-CUT REMOVEABLE)	AUTO / MANUAL	
VIDEO OUTPUT	COMPOSITE & Y/C OUTPUT 1.0VP-P AT 75 OHM	
CONTROL FUNCTION	OSD CONTROL ,DRY SWITCH , RS-232	
OSD LANGUAGE SELECT	ENGLISH / CHINESS_SIMP / JAPANESE	
OPERATION TEMPERATURE	-10°C TO 50°C	
OPERATIONAL HUMIDITY	WITHIN 85%RH	
POWER SUPPLY	DC12V±1V / 4W(MAX)	
DIMENSIONS	59MM(W) X 80MM(H) X 120MM (L)	

Caution for Installation:

1. Avoid places where there is direct sunlight. When using the camera outside.
2. Be careful, never let any water in this equipment.
3. Do not directly touch the Sensor device. If necessary, use a soft cloth moistened with alcohol to wipe off the dust.
4. When the camera installs in dust or wet environment, please puts into the camera housing.
5. Be extra careful not to shake the camera.
6. Avoid places where temperatures exceed 50 °C or more.
7. Be extra careful not to mistake plug in connect.
8. The camera are only operated with regulative adaptor DC 12V, AC to DC non-regulative adaptor may cause camera damaged.

G22 C/CS Mount BOX

Dimension (Unit : mm / ±0.5mm)



Rear board definition

59mm(W) X 80mm(H) X 120mm (L)

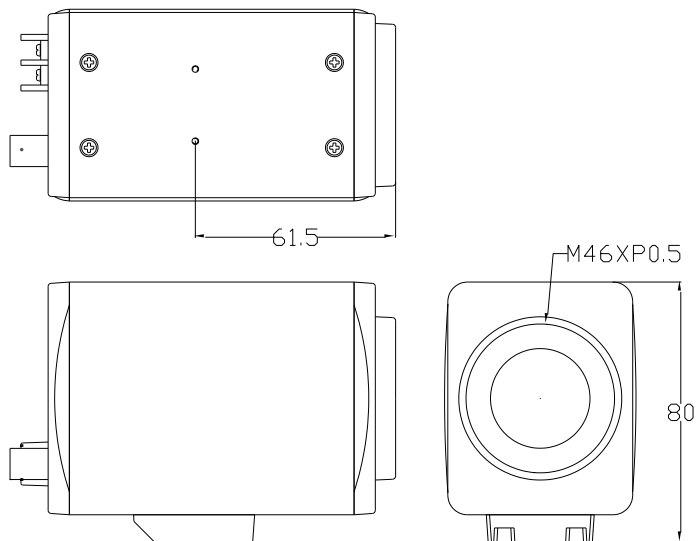
- ① FUNCTION SWITCH
- ② KEY MODE SW
- ③ S-VHS
- ④ AUX (option)
- ⑤ VIDEO OUT
- ⑥ LED
- ⑦ POWER
- ⑧ LENS



Item No.MTV-64G22H-ICR

- CVBS Video out
- Power: DC 12V/ 4W (MAX)
- AUX (option)
- 22X optical ZOOM ,F1.6~3.7,f=3.9~85.8mm
- IR-Cut Removable
- OSD control
- ICR-SET control by AGC

Features : G22 common functions



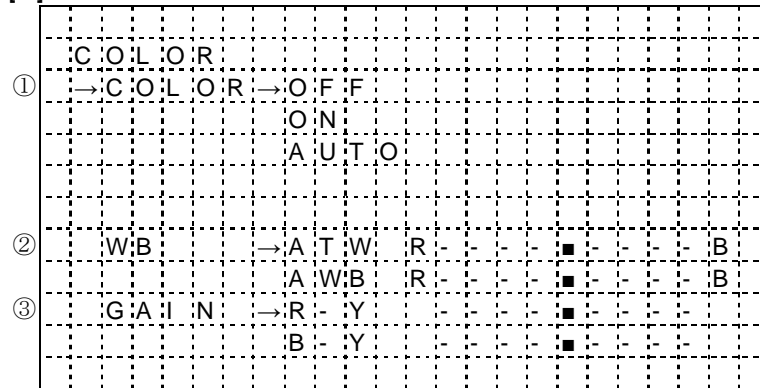
※The specifications and appearance of the product may change without notice.

This is used to select 「FREEZE」 and 「AGC」 & 「SENS」 function.

- ① 「FREEZE」 ON / OFF : ON (Freeze) / OFF(Unfreeze).
- ② 「AGC」 : To adjust auto gain control, 0dB, 2.25dB, 4.5dB, 6.75dB, 9dB , 11.25dB , 13.5dB , 15.75dB , 18dB, 9 steps adjustable.
- ③ 「SENS」 : For low light application: 0 Frame , 6 Frame , 12 Frame , 16 Frame , 18 Frame , 22 Frame , 24 Frame , 30 Frame , 36 Frame, 9 steps adjustable.

After setting, push [PRI] key to go back to the main menu page.

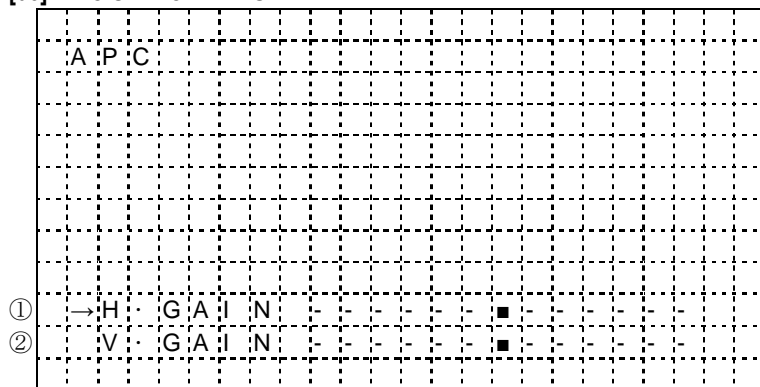
[04]. COLOR SELECT MENU



This is used to control the color ON/OFF and white balance and the gain rate of RED & BLUE color.

- ① 「COLOR」 selector : OFF is monochrome image , ON is normal color image , AUTO is at low light AGC up, display image will be auto change to monochrome image.
 - ② 「WB」 White balance control : ATW is Auto trace white balance,can be adjust offset level. AWB is One push white balance. Push [ENTER] key 「AWB」 will start flicker, until flicker stop it will lock the current color temperature at the same time.
 - ③ 「GAIN」 : The gain rate of R-Y & B-Y can be adjusted separately.
- After setting, push [PRI] key to go back to the main menu page.

[05]. APC SELECT MENU

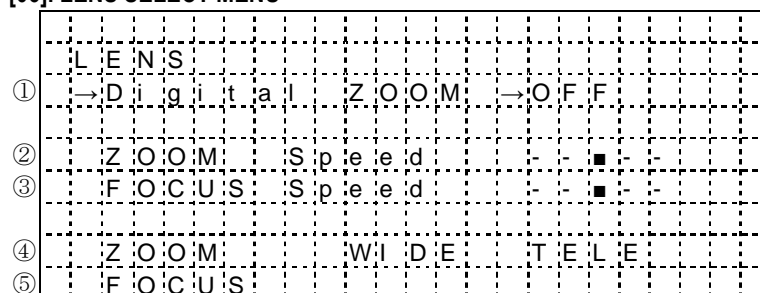


This is used to enhance the compensation of the picture quality.

- ① 「H•GAIN」 : Horizontal Compensation
- ② 「V•GAIN」 : Vertical Compensation

After setting, push [PRI] key to go back to the main menu page.

[06]. LENS SELECT MENU



※The specifications and appearance of the product may change without notice.

Model No.AF X22 Zoom 企_VER1.0

→	M	A	N	U	A	L	I	N	F	N	E	A	R
	A	U	T	O									

This is used to control the motion of the lens, included "Digital ZOOM" ON/OFF and times set function.

- ① 「Digital ZOOM」 selector : OFF、X2、X4、X6、X8、X10.
- ② 「ZOOM Speed」 : Set the speed of the zoom.
- ③ 「FOCUS Speed」 : Set the speed of focus.
- ④ 「ZOOM」 : Lens ZOOM adjust WIDE / TELE
- ⑤ 「FOCUS」 : AUTO / MANUAL setting

After setting, push [PRI] key to go back to the main menu page.

[07]. REV. SELECT MENU

	R	E	V										
①	→	P	O	S	I	/	N	E	G	A			
		→	P	O	S	I							
			N	E	G	A							
②		H	.	R	E	V	→	O	F	F			
								O	N				
③		V	.	R	E	V	→	O	F	F			
								O	N				

This is used to select image 「Positive」 and 「Negative」 & 「Horizontal Reverse」 and 「Vertical Reverse」 function.

- ① 「POS/NEGA」 : Image positive & negative select.
- ② 「H.REV」 : Horizontal Reverse (Mirror) ON/OFF
- ③ 「V.REV」 : Vertical Reverse (Up-side down) ON/OFF

After setting, push [PRI] key to go back to the main menu page.

[08]. POSITION SELECT MEMU

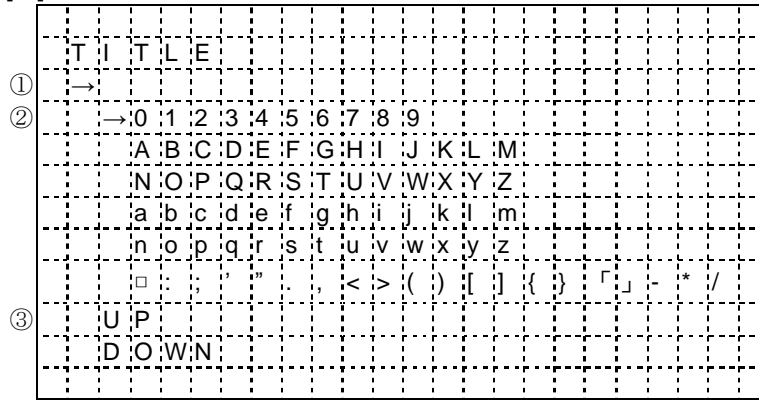
	P	O	S	I	T	I	O	N						
①	→	A	L	A	R	M	N	O	=	0				
②		F	r	e	e	z	e	→	O	F	F			
									O	N				
③		P	O	S	I	T	I	O	N					
	→	N	O	=	6	4								
		Z	O	O	M	S	p	e	e	d	-	-	■	
		F	O	C	U	S	S	p	e	e	d	-	-	■
		Z	O	O	M	W	I	D	E	T	E	L	E	
		F	O	C	U	S	I	N	F	N	E	A	R	

This is used to set 「ALARM-IN」 function, either 「ALARM POSITION」 or 「IMAGE FREEZE」 .

- ① 「ALARM NO.」 : Set alarm position(1~64), if set to (0) alarm position is not enable.
- ② 「Freeze」 : Set ON mode, 「ALARM-IN」 is freeze trigger input.
- ③ 「POSITION」 : The alarm position have 64 steps (position) can be programed.

By this program, the zoom & focus may go to the exactly position where is programed.
After setting, push [PRI] key to go back to the main menu page.

[09]. ID SELECT MENU

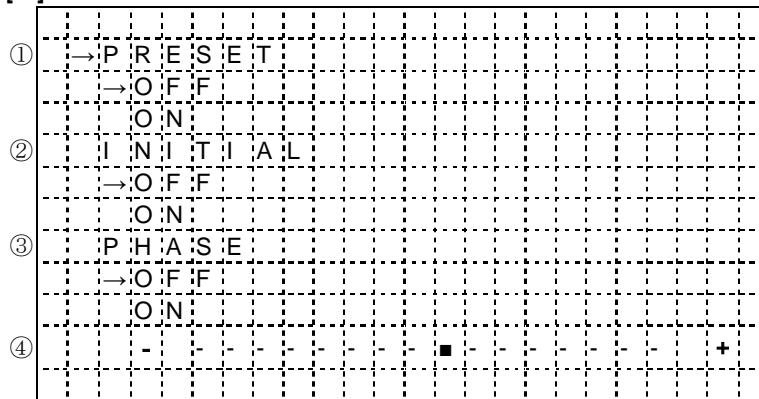


This is used to set up the ID figures & position on the screen. (Title setting)

- ① TITLE start position selector.
- ② TITLE Character selector.
- ③ TITLE display position UP or DOWN selector.

After setting, push [PRI] key to go back to the main menu page.

[10]. PRESET SELECT MENU



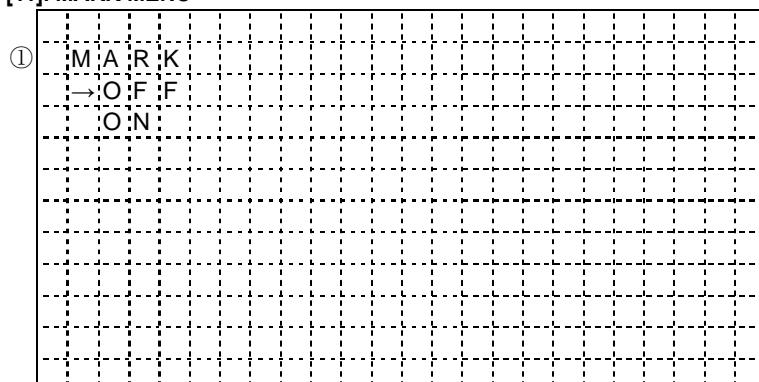
This is used to select the camera go back to "PRESET", "INITIAL", "PHASE" condition

- ① 「PRESET」 : Set to ON camera will be reset and set to default data.
- ② 「INITIAL」 select : Set to ON lens is action,Set to OFF lens is do not action.
- ③ 「PHASE」 adj select : Set to OFF ext-sync is disable,Set to ON ext-VD sync is enable, (EXT-VD signal must be input)
- ④ PHASE set to ON sync-phase adjustment.

After setting, push [PRI] key to go back to the main menu page.

The menu at next page
at "PRESET" position push [DOWN] key can into this menu.

[11]. MARK MENU



This is used to select the cross line display ON / FF.

※The specifications and appearance of the product may change without notice.

[15]. MASK MENU

	M:A S K								
①	→P O S I T I O N	N O =	6	4					
②	M:A S K	N O =	1						
③		→O F F							
④			O N	→H	S T A R T =	2	0		
⑤				H	E N D =	2	0		
⑥				V	S T A R T =	2	0		
⑦				V	E N D =	2	0		
⑧				C O N N E C T	→O F F				
					O N				

This is used to select mask area size and position for each settable lens position.

- ①Lens position no. select(1~64)
- ②MASK NO. select(1~4)
- ③MASK area display ON / OFF select.
- ④Hor. direction start position.
- ⑤Hor. direction end position.
- ⑥Ver. direction start position.
- ⑦Ver. direction end position.
- ⑧ZOOM action to link mask area, ON / OFF select..

[16]. OSD MENU

	O S D								
①	→P O S I T I O N	→O F F							
		O N							
②	M O T I O N	→O F F							
		O N							
③	Z O O M M A G	→O F F							
		O N							

This is used to select on screen display ON / OFF select.

- ①POSITION NO. display ON / OFF select.
- ②MONTION action display ON / OFF select.
- ③ZOOM times display ON / OFF select.

[17]. ZOOM+AF MENU

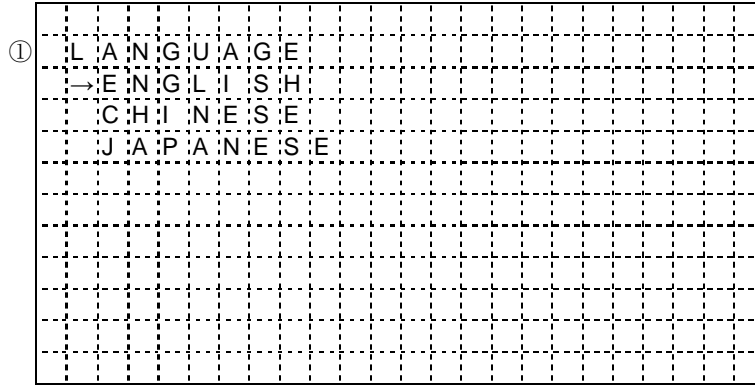
	Z O O M + A F								
①	Z O O M + A F								
	→O F F								
	O N								
②	A F S l e e p	→O F F							
		O N							

This is used to select an occasion for auto focus action.

- ①ZOOM stops time execute lens focus once, action OFF / ON select.
- ②AF Sleep function ON / OFF select.
(As show screen stillness about 5 minutes cameras come into AF Sleep mode namely, as screen has bigger change time come back again act for normal mode namely.)

※The specifications and appearance of the product may change without notice.

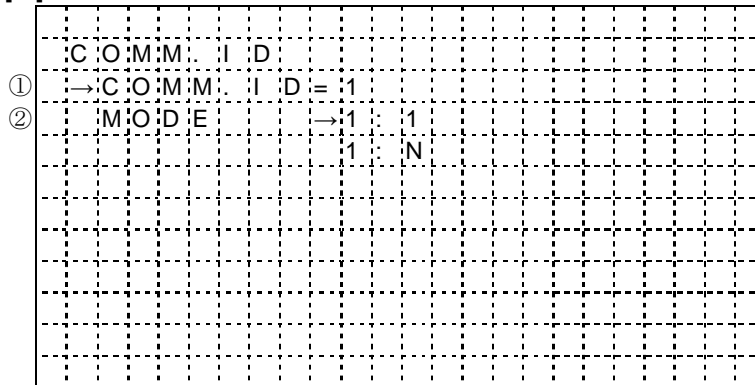
[18]. LANGUAGE MENU



This is used to select OSD manu display language.

- ①OSD display language select, ENGLISH / CHINESE(Simp.) / JAPANESE

[19]. COMMUNICATION ID MENU



This is used to select communication ID and mode.

- ①Communication ID number's set.(Enactment supply controller identification camera uses ID number.)
- ②MODE choice
 - 1:1 : One controller to control one Camera.
 - 1:N : One controller to control many Camera.